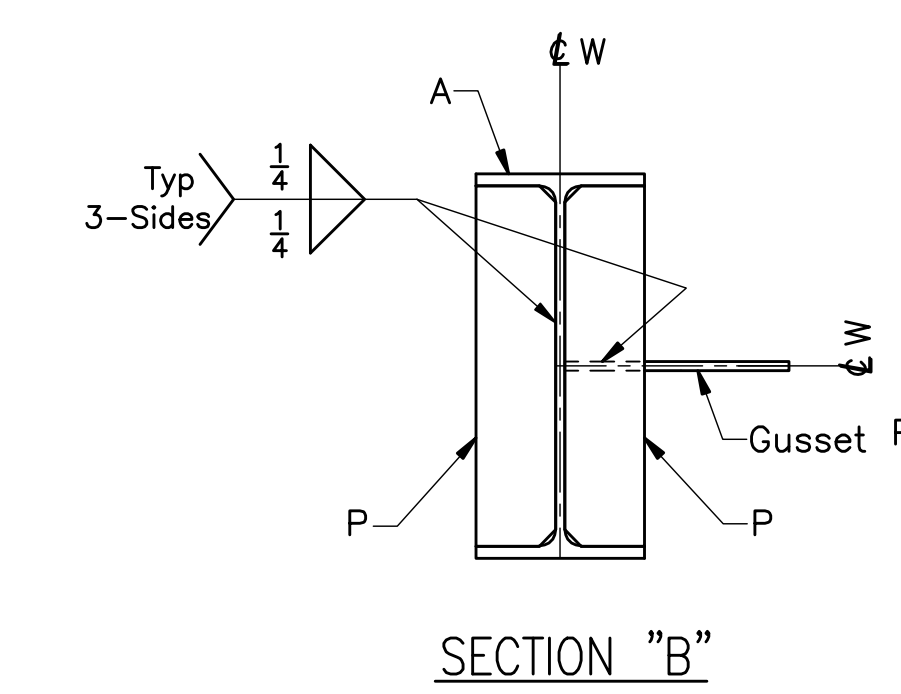
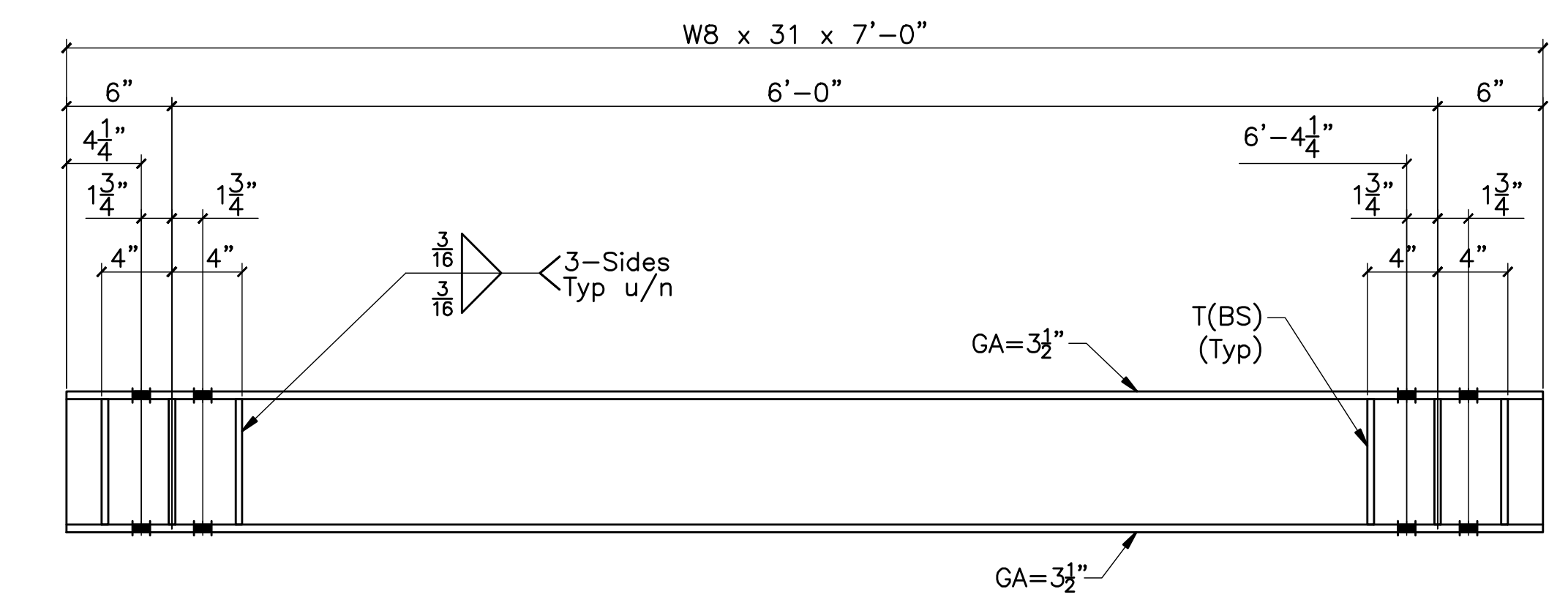


W & WT SHAPES = A992  
ANGLES = A36

C & MC SHAPES = A36  
PL, FB & RB = A36

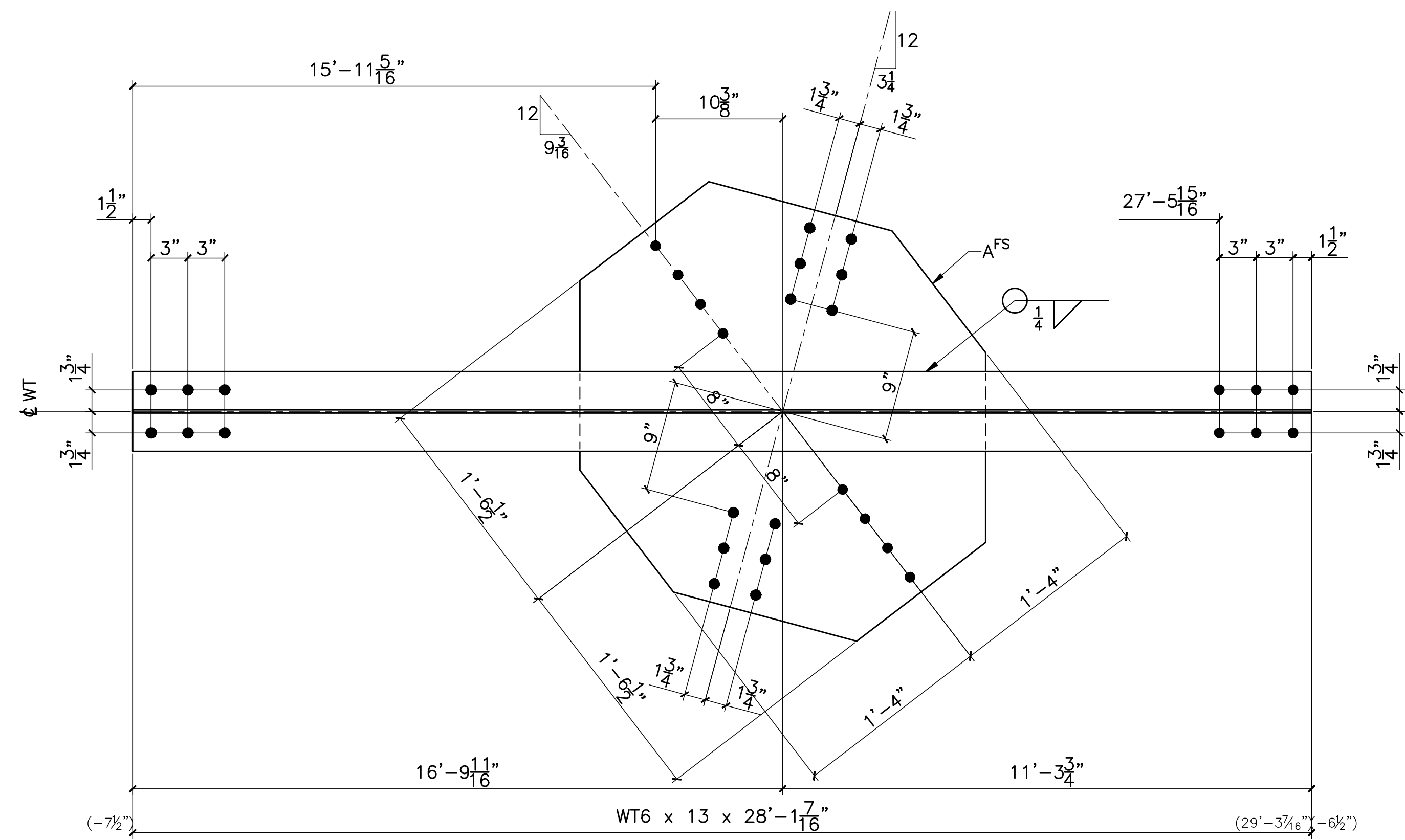
SHIP MARK SUB MARK	QTY PCS.	DESCRIPTION	LENGTH		REMARKS
			FT.	IN.	
240C1	2	BENT COLUMNS (BENT B5)	53	10 1/16	BC2E
A	2	W16 x 40	1	7	P/Base PL
B	2	P 1 1/2 x 10	1	5	P/Cap PL
C	2	P 1/2 x 12	1	8	PL
D	2	P 3/8 x 12	1	2 1/2	PL
F	2	P 3/8 x 13	2	0	PL
H	2	P 3/8 x 12	1	8	PL
K	2	P 3/8 x 15	1	7	PL
M	2	P 3/8 x 8	0	8 1/2	PL
P	44	P 3/8 x 3/4	1	3	Fit
240B1	ONE	BEAM (BENT B5)			
240B1	1	W8 x 31	7	0	P/A992
T	12	P 3/8 x 3/8	0	7 1/8	Fit
FIELD BOLTS					
F1236AMG	8	3/4" HSB(A325)(MECH. GALV.)	0	2 1/4	w/N & W



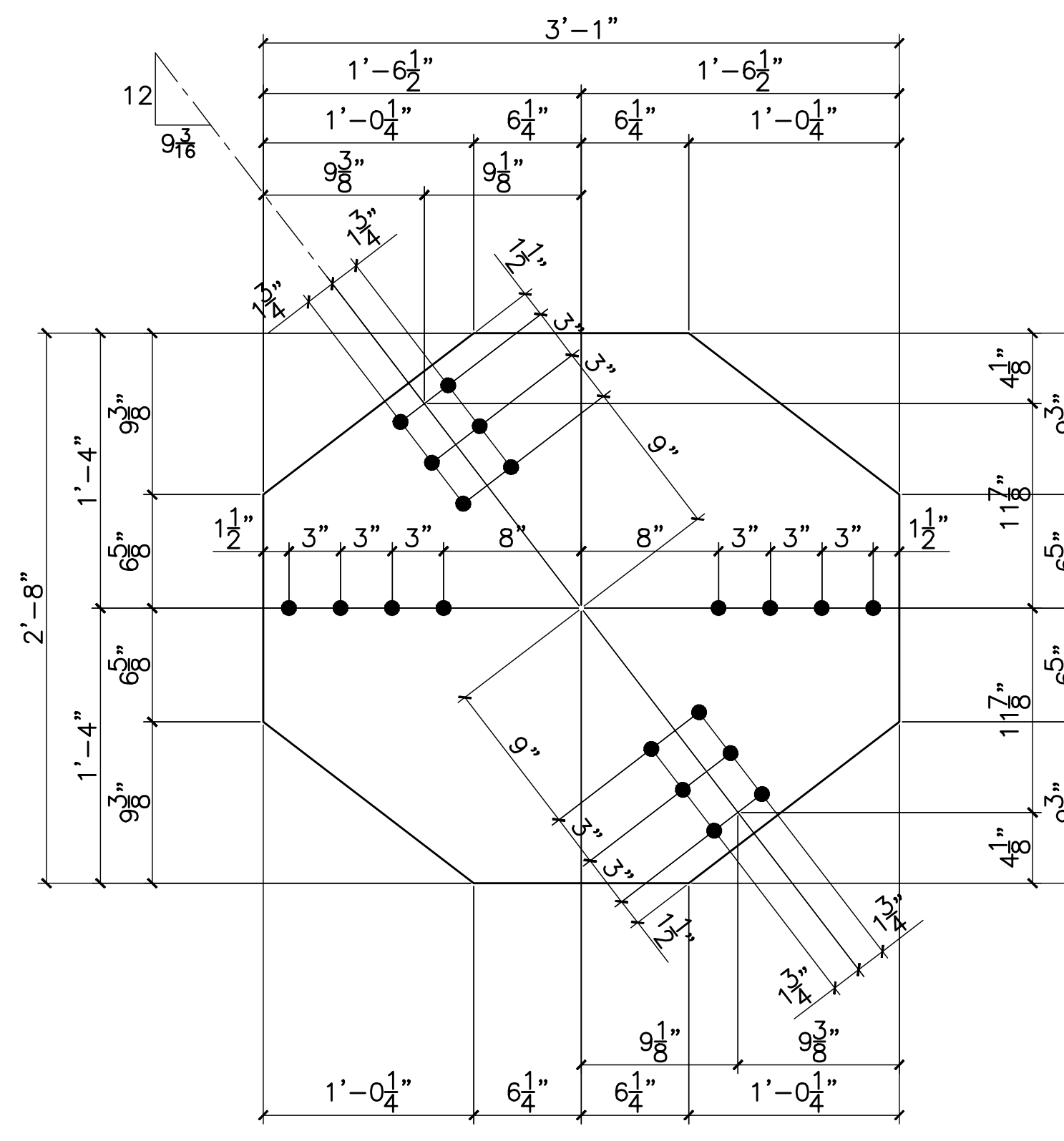
Revised	Drawn	RR	11/04	SHOP NOTE: ALL RE-ENTRANT CORNERS SHALL SHAPE TO A MINIMUM RADIUS OF 3/4"	NOTE: ALL BOLTS SHOWN IN BOM ARE FOR FIELD USE, DO NOT SHIP FROM THIS SHEET.			
Revised	Checked	RR	11/04					
DESIGN DWG	1286-C208	Approved	Date	<b>MATRIX ENERGY LLC</b>				
Shop Contact Surfaces:	SEE SPECS	1st. App	Date			Title	STORAGE AND RECLAIM FACILITY	
Electrodes:	E70	2nd App	Date			BENT B5 AND BEARING SEATS		
Holes:	13/16" Ø U.N.	To Shop	Date			MATRIX ENERGY, LLC		
Bolts:	3/4" Ø U.N.	To Field	Date			LOVELY, KY		
Shop Paint:	SEE SPECS	THIS PRINT AND ALL INFORMATION THEREIN IS OUR PROPERTY, IS CONFIDENTIAL AND MUST NOT BE MADE PUBLIC OR COPIED UNLESS AUTHORIZED BY US. SUBJECT TO RETURN ON DEMAND. PDEVELL CONSTRUCTION CO.			DWG #	240		
			MSSS	Job#	P6177	PCC	Job#	4419

**BILL OF MATERIAL**

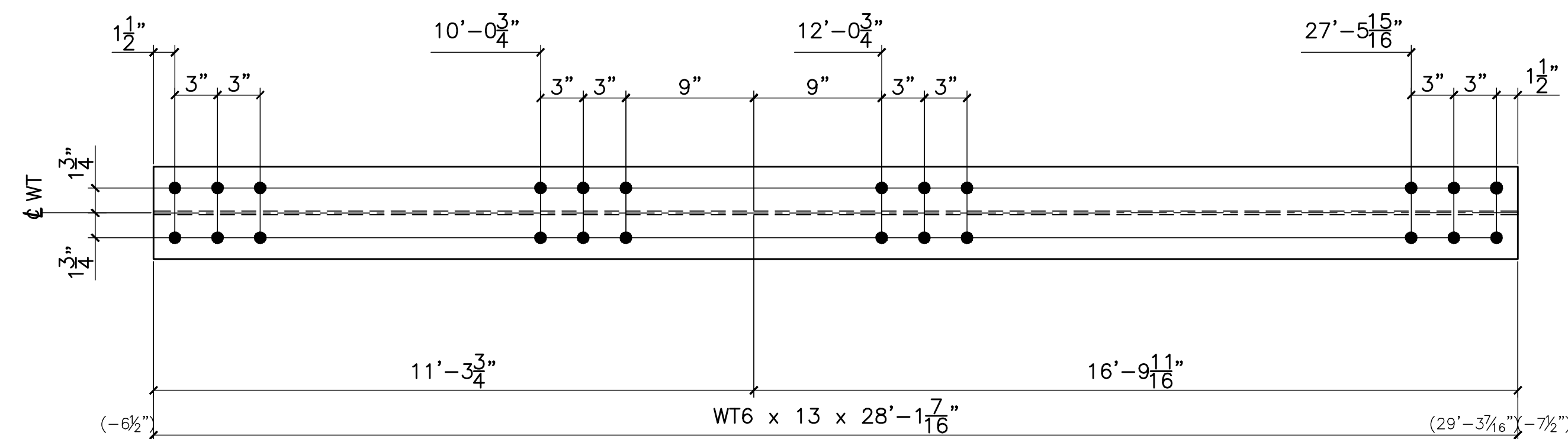
SHIP MARK SUB MARK	QTY	DESCRIPTION	LENGTH		REMARKS
			FT.	IN.	
241D1	ONE	BRACE			
241D1 A	1	WT6 x 13	28	17/16	P
	1	PL 7/8 x 32	3	1	P
241D2	ONE	BRACE			
241D2	1	WT6 x 13	28	17/16	P
241D3	ONE	BRACE			
241D3	1	WT5 x 11	20	9/8	P
241D4	ONE	BRACE			
241D4	1	WT5 x 11	14	0/8	P
241D5	ONE	BRACE			
241D5	1	WT5 x 11	10	4	P
FIELD BOLTS					
F1232AMG	66	3/4" HSB(A325)(MECH. GALV.)	0	2	w/N & W



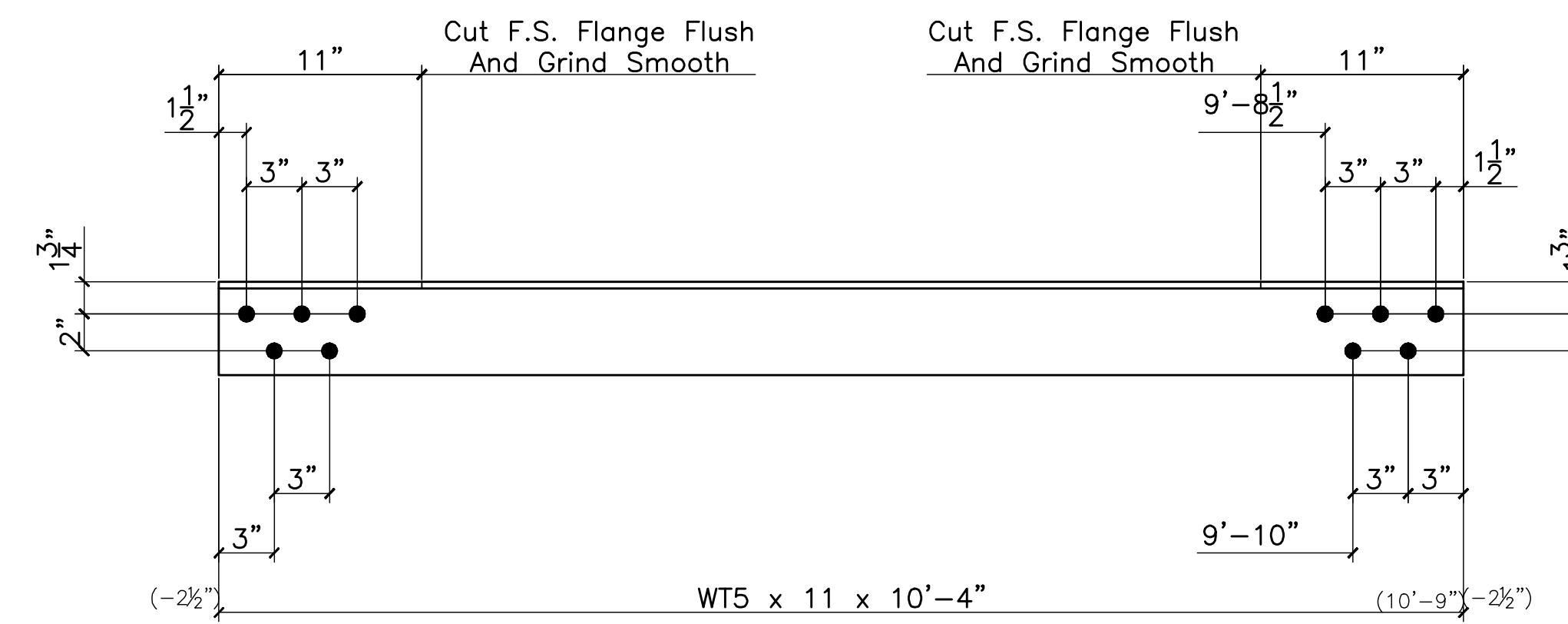
**ONE - BRACE - 241D1**  
12-3/4x2HSB(F1232AMG)



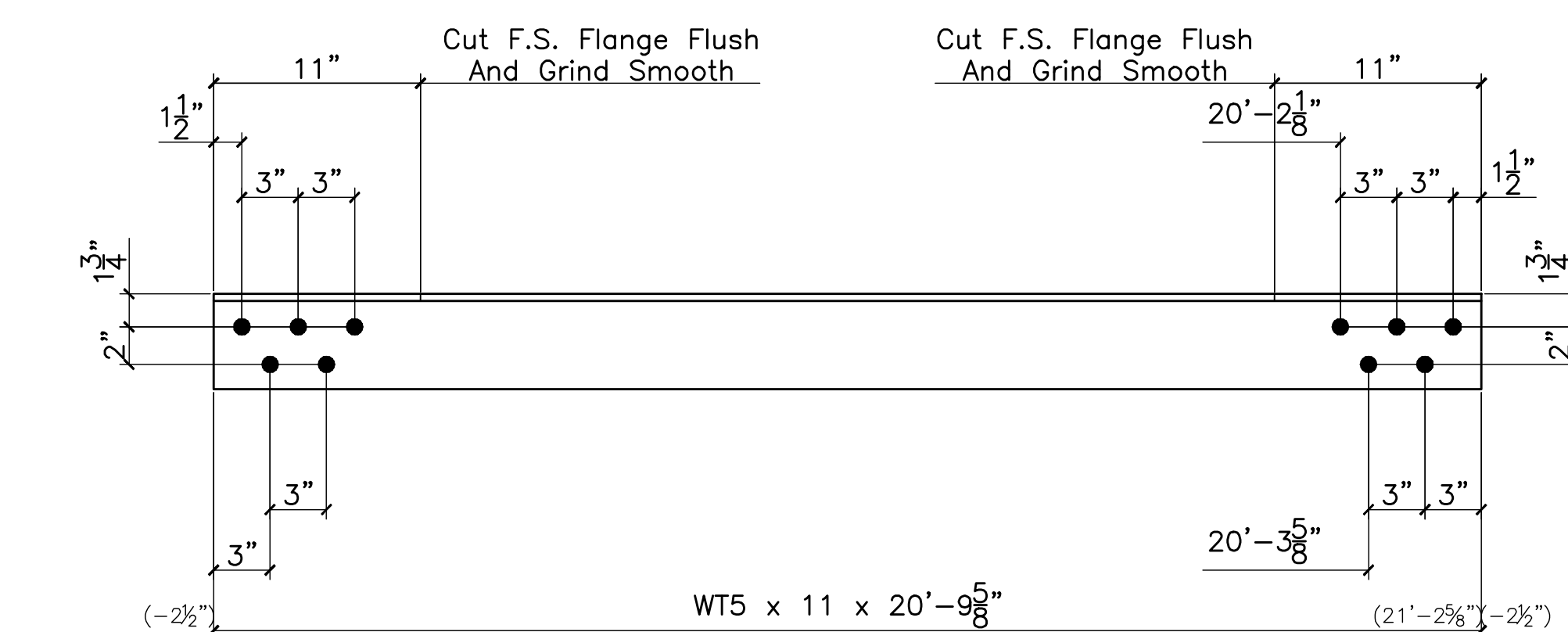
DETAIL OF R "A"



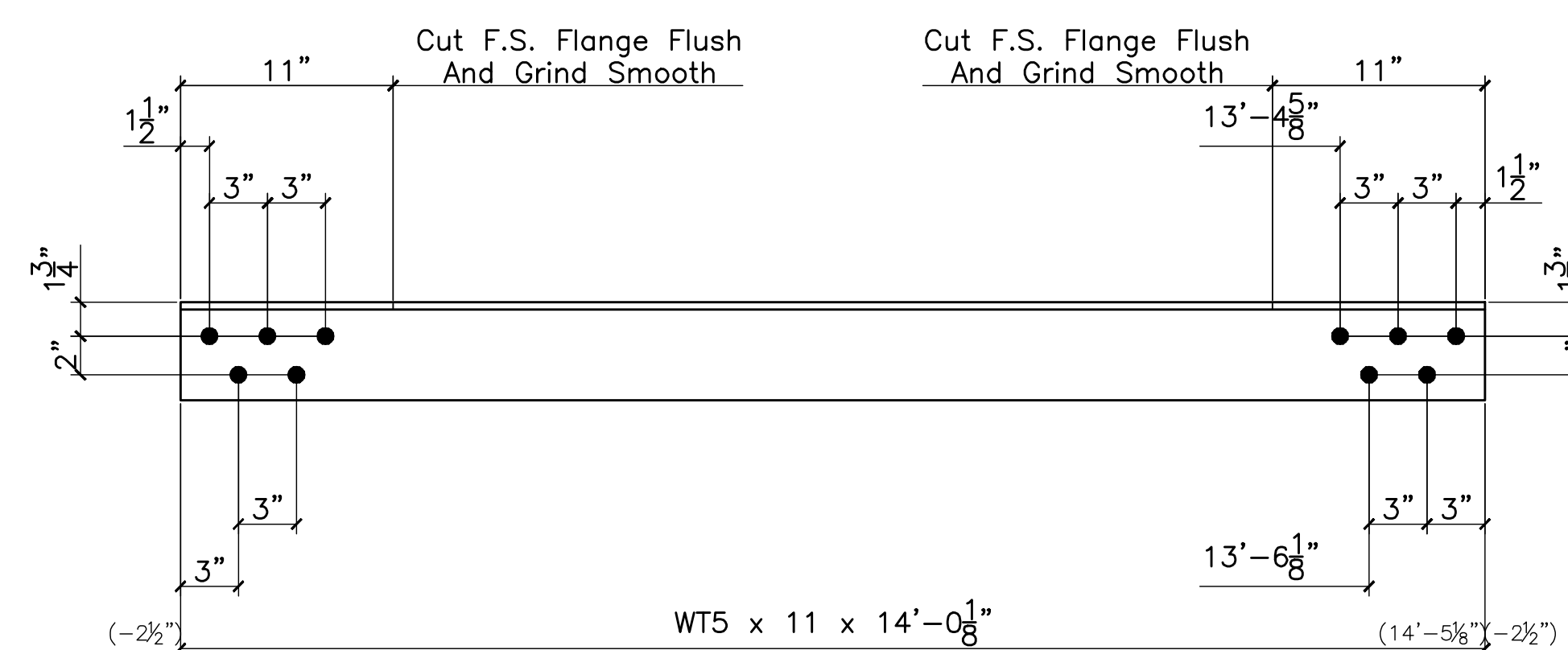
**ONE - BRACE - 241D2**  
24-3/4x2HSB(F1232AMG)



**ONE - BRACE - 241D5**  
10-3/4x2HSB(F1232AMG)



**ONE - BRACE - 241D3**  
10-3/4x2HSB(F1232AMG)

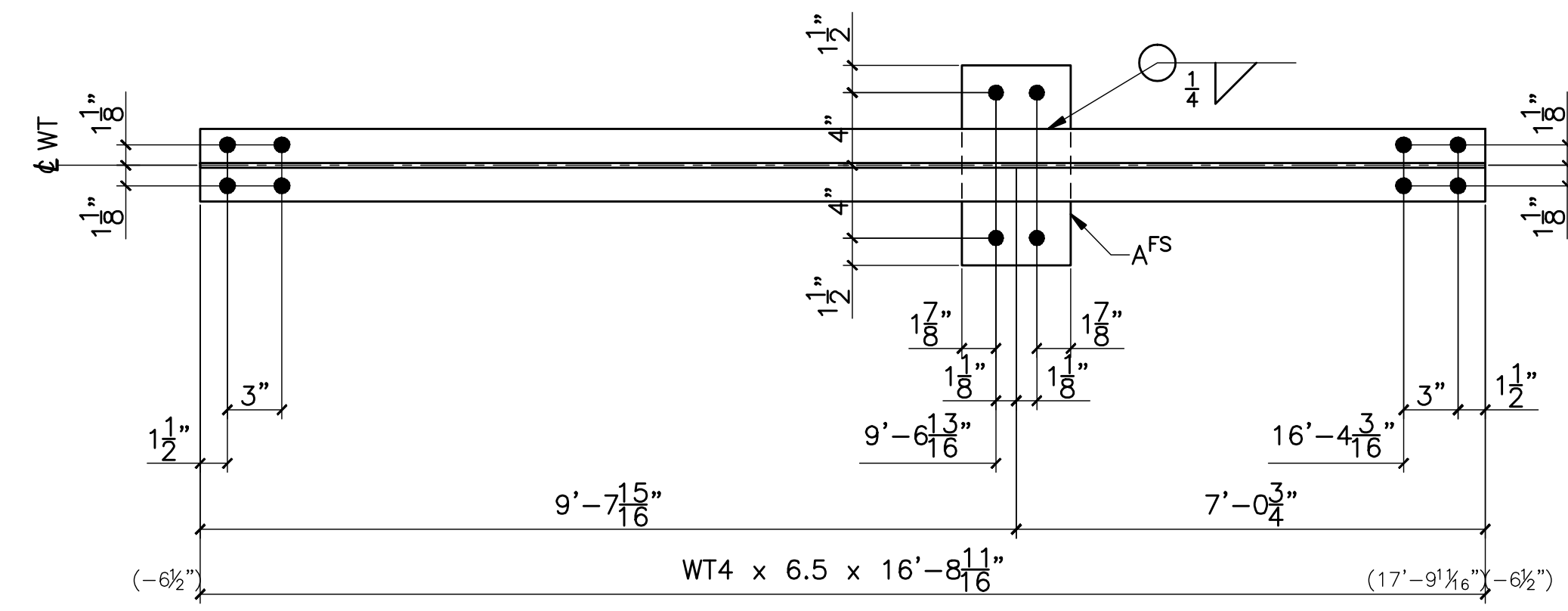


**ONE - BRACE - 241D4**  
10-3/4x2HSB(F1232AMG)

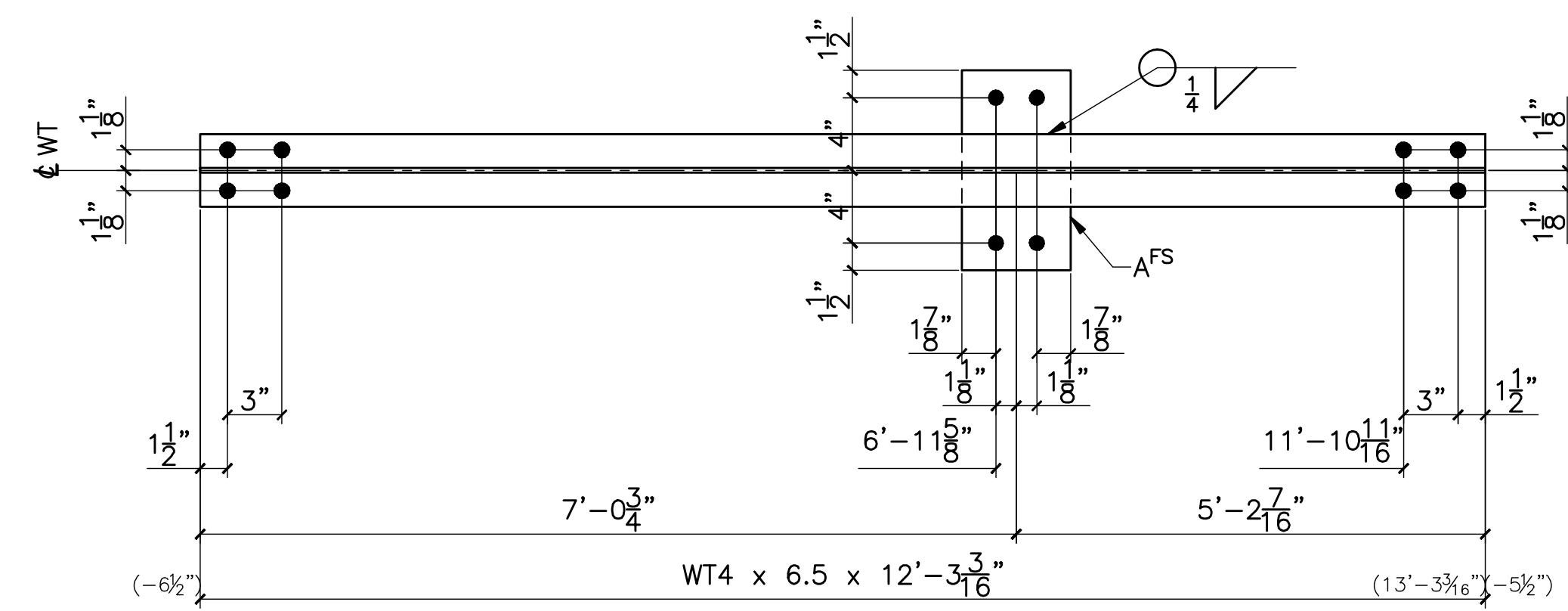
Revised	Drawn	RR	11/04	SHOP NOTE: ALL RE-ENTRANT CORNERS SHALL SHAPE TO A MINIMUM RADIUS OF 3/4"	NOTE: ALL BOLTS SHOWN IN BOM ARE FOR FIELD USE, DO NOT SHIP FROM THIS SHEET.
Revised	Checked	RR	11/04		
	Approved		Date	<b>MATRIX ENERGY LLC</b>	
DESIGN DWG	1286-C208	1st. App	Date		
Shop Contact Surfaces:	SEE SPECS	2nd App	Date		
Electrodes:	E70	To Shop	Date		
Holes:	13/16" Ø U.N.	To Field	Date		
Bolts:	3/4" Ø U.N.			Title STORAGE AND RECLAIM FACILITY BENT B5 AND BEARING SEATS	
Shop Paint:	SEE SPECS			For MATRIX ENERGY, LLC	
THIS PRINT AND ALL INFORMATION THEREIN IS OUR PROPERTY, IS CONFIDENTIAL AND MUST NOT BE MADE PUBLIC OR COPIED UNLESS AUTHORIZED BY US. SUBJECT TO RETURN ON DEMAND. PDEVELL CONSTRUCTION CO.				LOVELY, KY	
				STEEL DETAILS	
				DWG #	241
				MSSS Job#	P6177
				PCC Job#	4419

**BILL OF MATERIAL**

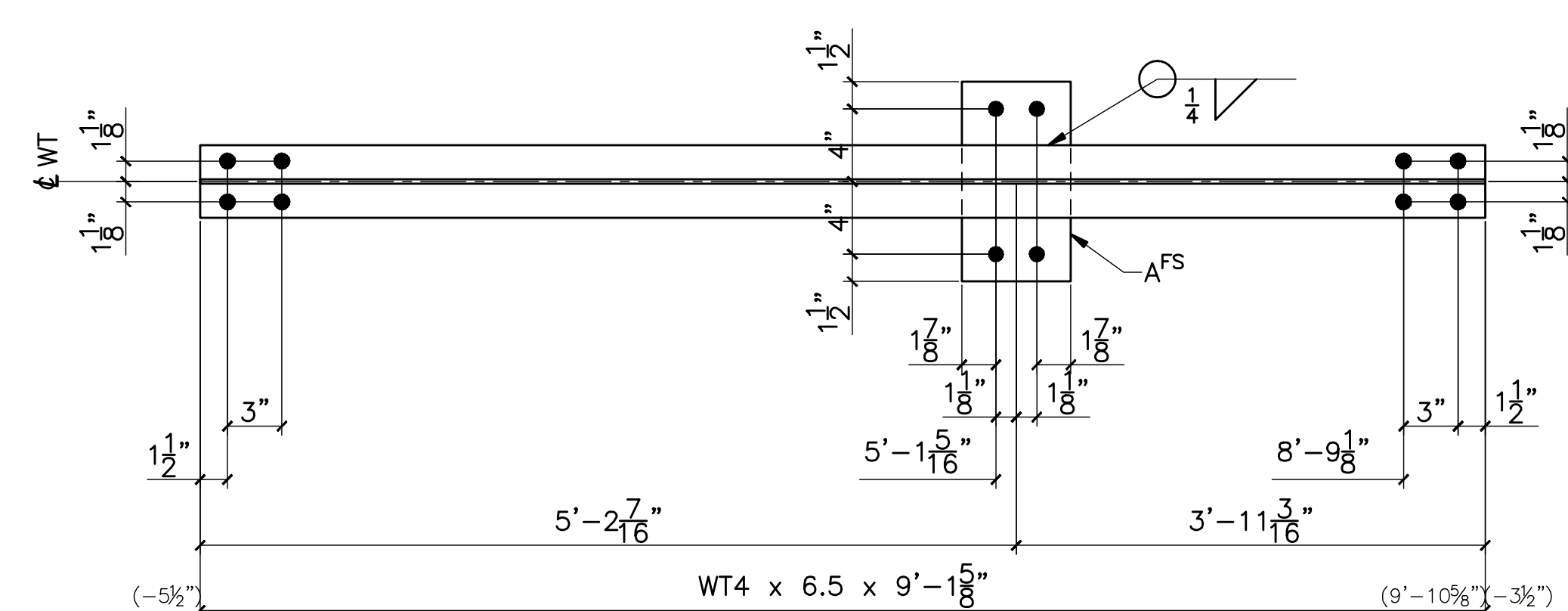
SHIP MARK SUB MARK	QTY PCS.	DESCRIPTION	LENGTH		REMARKS
			FT.	IN.	
242D1	ONE	BRACE			
242D1	1	WT4 x 6.5	16	8 1/16"	
A	1	PL 3/8 x 6	0	11"	PL
242D2	ONE	BRACE			
242D2	1	WT4 x 6.5	12	3 3/16"	
A	1	PL			
242D3	ONE	BRACE			
242D3	1	WT4 x 6.5	9	1 5/8"	
A	1	PL			
242D4	ONE	BRACE			
242D4	1	WT4 x 6.5	16	8 1/16"	
242D5	ONE	BRACE			
242D5	1	WT4 x 6.5	12	3 3/16"	
242D6	ONE	BRACE			
242D6	1	WT4 x 6.5	9	1 5/8"	
242D7	2	BRACE			
242D7	2	WT4 x 9	7	10 1/16"	
242D8	ONE	BRACE			
242D8	1	WT4 x 9	7	7 1/8"	
		FIELD BOLTS			
F1232AMG	84	3/4" HSB(A325)(MECH. GALV.)	0	2	w/N & W



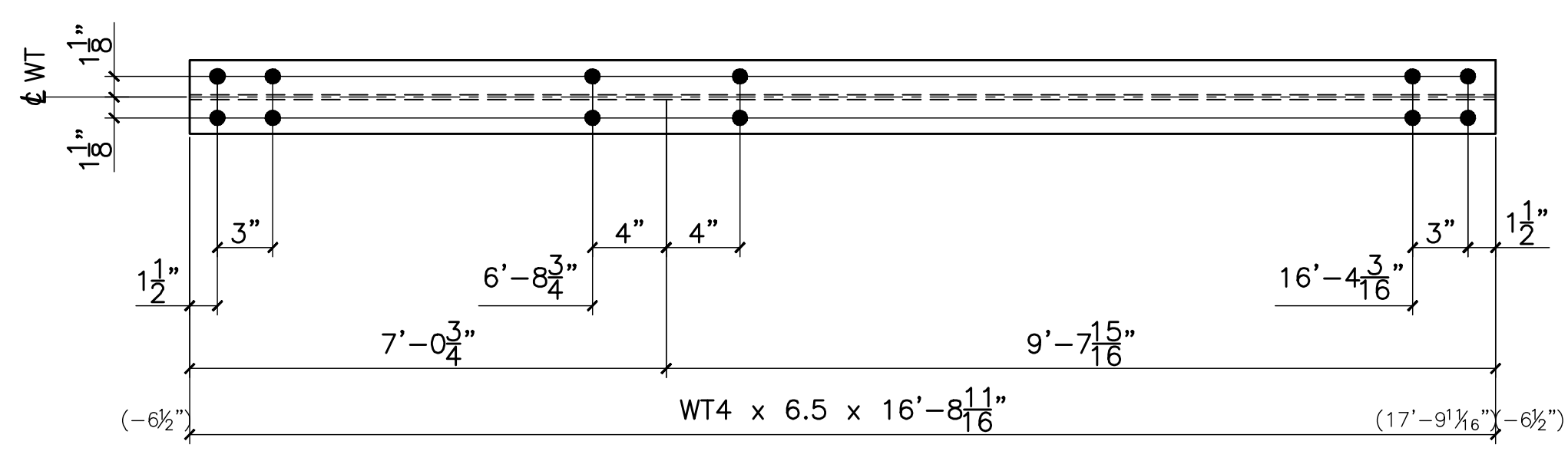
**ONE - BRACE - 242D1**  
8-3/4x2HSB(F1232AMG)



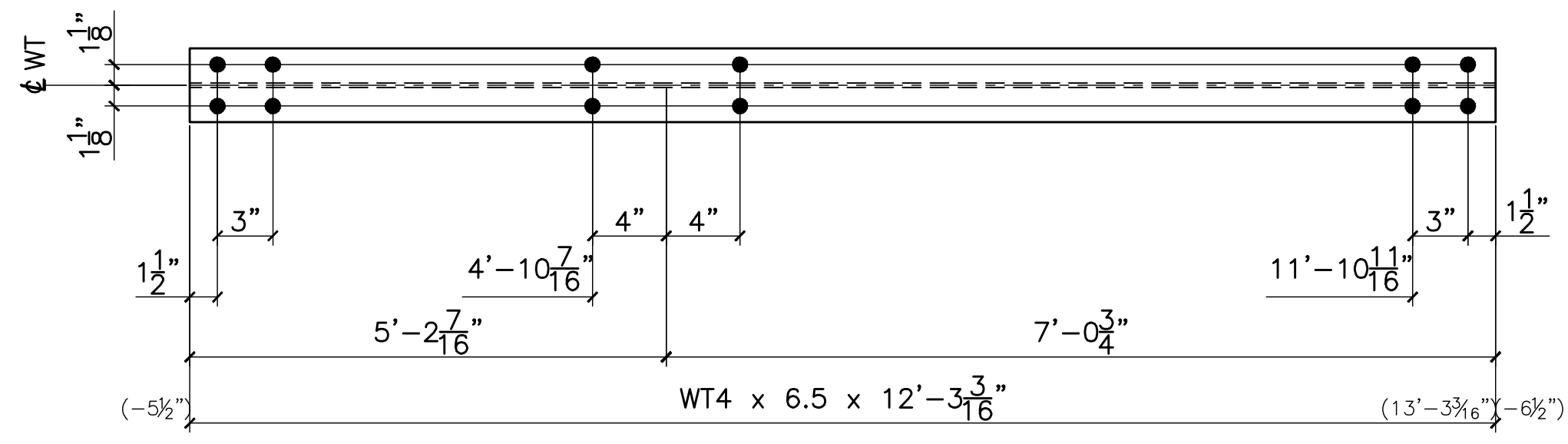
**ONE - BRACE - 242D2**  
8-3/4x2HSB(F1232AMG)



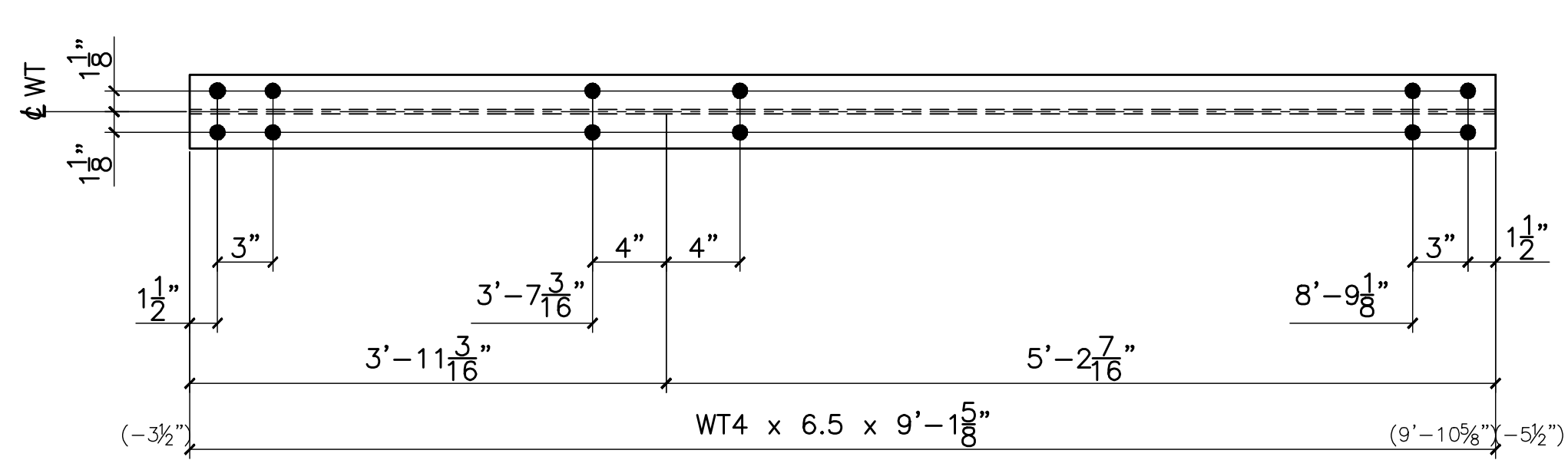
**ONE - BRACE - 242D3**  
8-3/4x2HSB(F1232AMG)



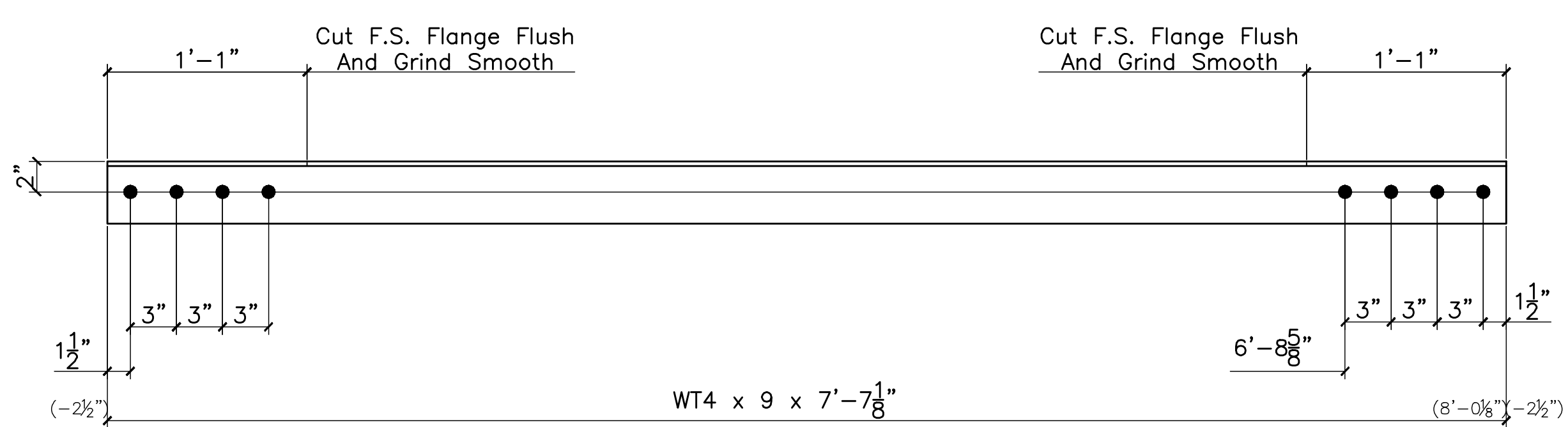
**ONE - BRACE - 242D4**  
12-3/4x2HSB(F1232AMG)



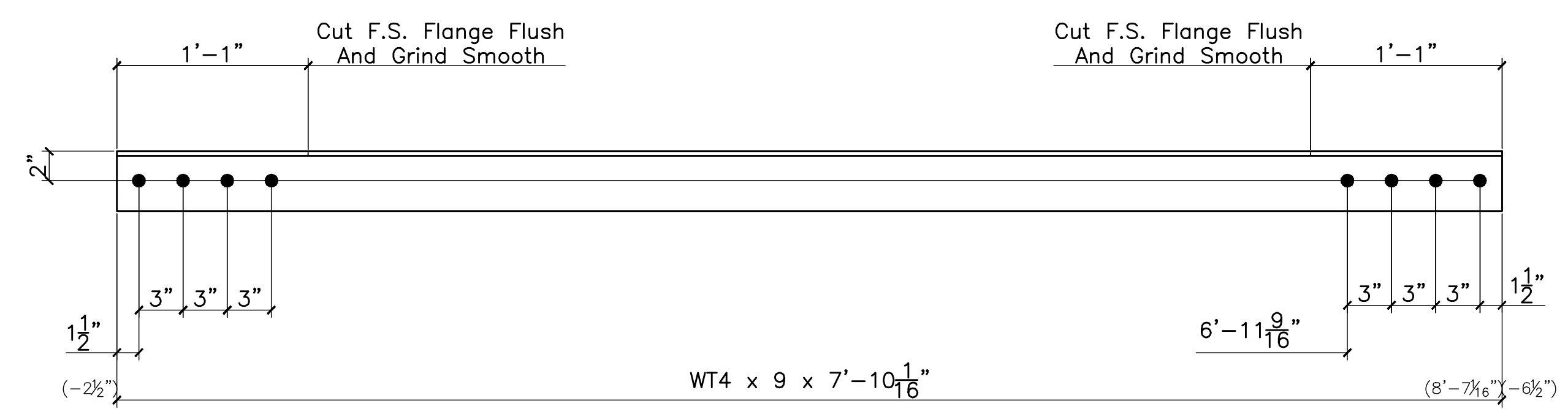
**ONE - BRACE - 242D5**  
12-3/4x2HSB(F1232AMG)



**ONE - BRACE - 242D6**  
12-3/4x2HSB(F1232AMG)



**ONE - BRACE - 242D8**  
8-3/4x2HSB(F1232AMG)



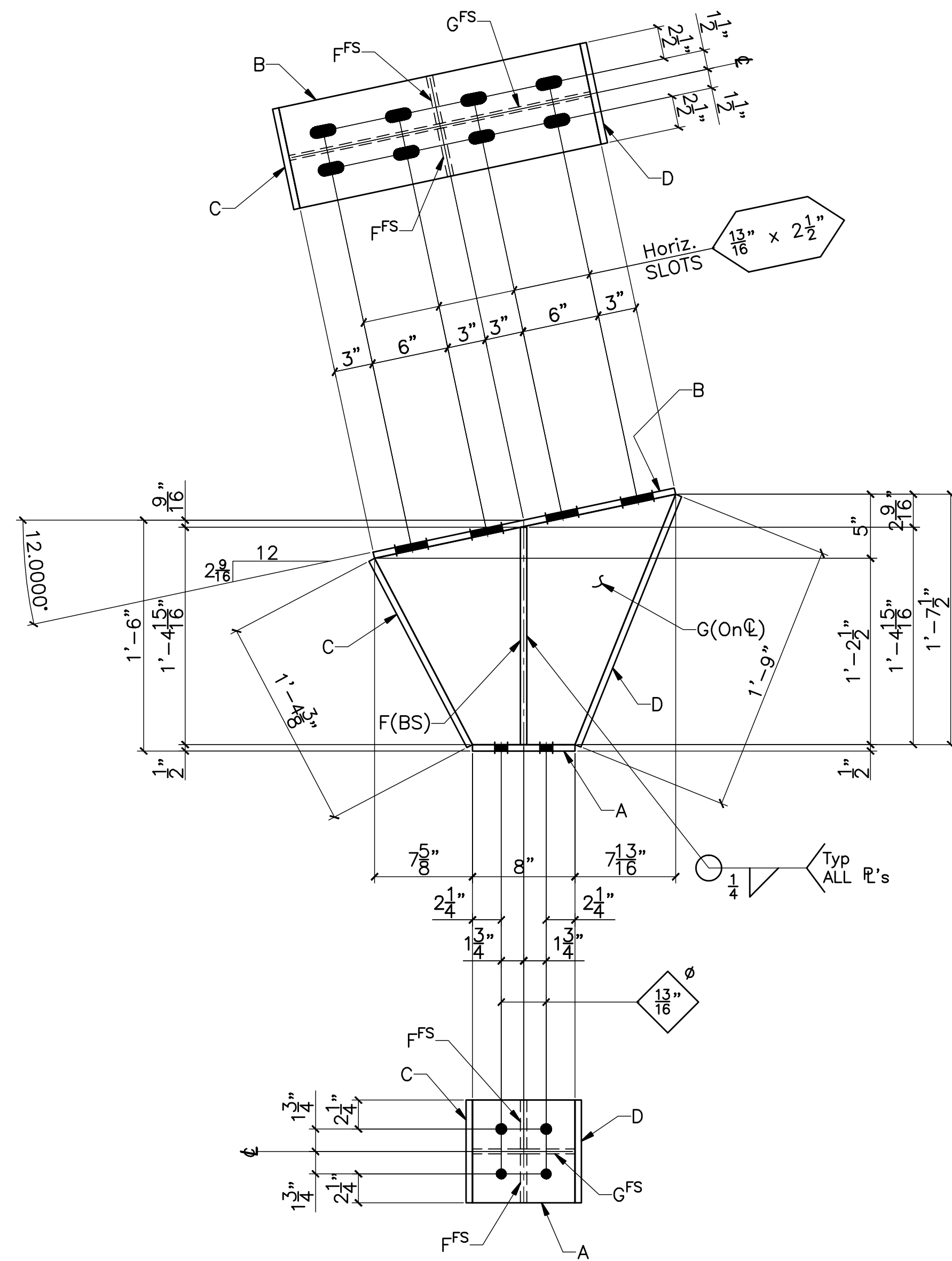
**2 - BRACES - 242D7**  
16-3/4x2HSB(F1232AMG)

Revised	Drawn	RR	11/04	SHOP NOTE: ALL RE-ENTRANT CORNERS SHALL SHAPE TO A MINIMUM RADIUS OF 3/4"	NOTE: ALL BOLTS SHOWN IN BOM ARE FOR FIELD USE, DO NOT SHIP FROM THIS SHEET.		
Revised	Checked	RR	11/04				
	Approved		Date	<b>MATRIX ENERGY LLC</b>			
DESIGN DWG	1286-C208	1st. App	Date			Title	STORAGE AND RECLAIM FACILITY
Shop Contact Surfaces:	SEE SPECS	2nd App	Date			For	BENT B5 AND BEARING SEATS
Electrodes:	E70	To Shop	Date				MATRIX ENERGY, LLC
Holes:	13/16" Ø U.N.	To Field	Date		LOVELY, KY		
Bolts:	3/4" Ø U.N.				STEEL DETAILS		
Shop Paint:	SEE SPECS			DWG #	242		
				MSSS Job#	P6177		
				PCC Job#	4419		

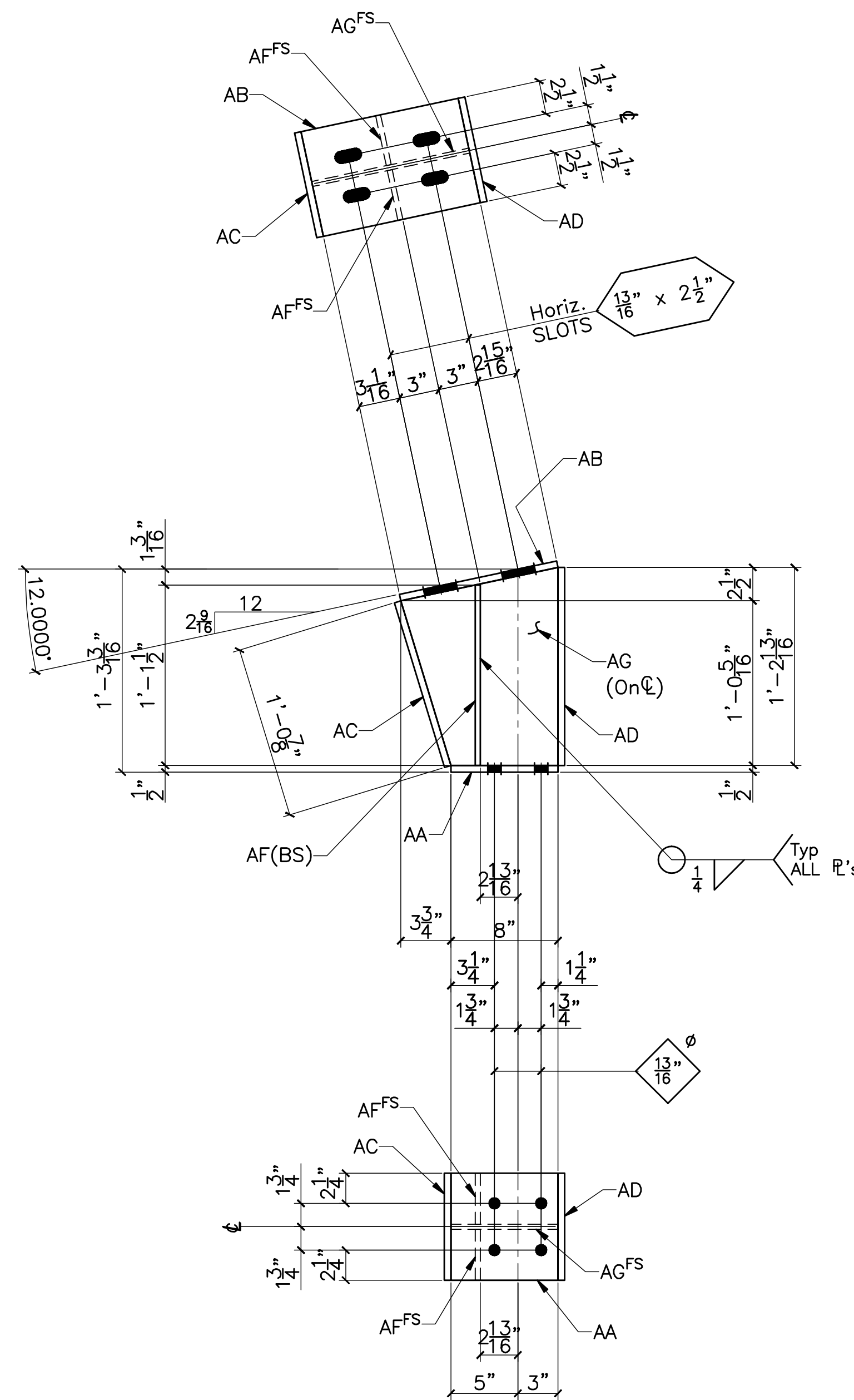
THIS PRINT AND ALL INFORMATION THEREIN IS OUR PROPERTY, IS CONFIDENTIAL AND MUST NOT BE MADE PUBLIC OR COPIED UNLESS AUTHORIZED BY US. SUBJECT TO RETURN ON DEMAND. PDEVELL CONSTRUCTION CO.

**BILL OF MATERIAL**

SHIP MARK SUB MARK	QTY PCS.	DESCRIPTION	LENGTH		CUT LIST	REMARKS
			FT.	IN.		
<b>243M1</b>	<b>2</b>	<b>BEARING SEATS (Ref: BS-5)</b>				
A	2	1/2 x 8	0	8		P
B	2	1/2 x 8	2	0		P
C	2	1/2 x 8	1	4 7/8		
D	2	1/2 x 8	1	9		
F	4	1/2 x 3 1/16	1	4 1/16		Fit
G	2	1/8 x 19 1/2	1	11 1/16		Fit
<b>243M2</b>	<b>2</b>	<b>BEARING SEATS (Ref: BS-6)</b>				
AA	2	1/2 x 8	0	8		P
AB	2	1/2 x 8	1	0		P
AC	2	1/2 x 8	1	0 7/8		
AD	2	1/2 x 8	1	2 1/16		
AF	4	1/8 x 3 1/16	1	1 1/2		Fit
AG	2	1/8 x 11 3/4	1	2 1/16		Fit
		<b>FIELD BOLTS</b>				
F1236AMG	16	3/4 HSB(A325)(MECH. GALV.)	0	2 1/4		w/N & W



**2 - BEARING SEATS - 243M1 (Ref: BS-5)**  
 8 - 3/4 x 2 1/4 HSB(F1236AMG)



**2 - BEARING SEATS - 243M2 (Ref: BS-6)**  
 8 - 3/4 x 2 1/4 HSB(F1236AMG)

Revised	Drawn <b>RR</b> 11/04	SHOP NOTE: ALL RE-ENTRANT CORNERS SHALL SHAPE TO A MINIMUM RADIUS OF 3/4"	NOTE: ALL BOLTS SHOWN IN BOM ARE FOR FIELD USE, DO NOT SHIP FROM THIS SHEET.
Revised	Checked <b>RR</b> 11/04		
DESIGN DWG <b>1286-C208</b>	Approved _____ Date _____	<b>MATRIX ENERGY LLC</b> Title <b>STORAGE AND RECLAIM FACILITY</b> BENT B5 AND BEARING SEATS For <b>MATRIX ENERGY, LLC</b> LOVELY, KY <b>STEEL DETAILS</b>	
Shop Contact Surfaces: <b>SEE SPECS</b>	1st App: _____ Date _____		
Electrodes: <b>E70</b>	2nd App: _____ Date _____		
Holes: <b>13/16</b> Ø U. N.	To Shop: _____ Date _____		
Bolts: <b>3/4</b> Ø U. N.	To Field: _____ Date _____		
Shop Paint: <b>SEE SPECS</b>	THIS PRINT AND ALL INFORMATION THEREIN IS OUR PROPERTY, IS CONFIDENTIAL AND MUST NOT BE MADE PUBLIC OR COPIED UNLESS AUTHORIZED BY US. SUBJECT TO RETURN ON DEMAND. PDEVELL CONSTRUCTION CO.		DWG # <b>243</b> MSSS Job# <b>P6177</b> PCC Job# <b>4419</b>